

⚡ Specifications

Nominal Voltage(V)

12V

Nominal Capacity

20 hour rate	(3.1A to 10.50V)	62Ah
10 hour rate	(6.2A to 10.80V)	62Ah
5 hour rate	(10.54A to 10.20V)	52.7Ah
1 hour rate	(37.2A to 9.60V)	37.2Ah
1 C	(62A to 9.60V)	35.13Ah

Weight

Approx. 18.7kg(41.14Lbs.)

Internal Resistance (at 1KHz)

Approx. 6.8 mΩ

Maximum Discharge Current for

5 seconds: 744A

Charging Methods at 25°C(77°F)

Cycle use:	
Charging Voltage	14.4 to 15.0V
Coefficient	-5.0mV/°C/cell
Maximum Charging Current :	18.6A
Standby use:	
Float Charging Voltage	13.5 to 13.8V
Coefficient	-3.0mV/°C/cell

Operating Temperature Range

Charge	-15°C (5°F)	to	40°C (104°F)
Discharge	-15°C (5°F)	to	50°C (122°F)
Storage	-15°C (5°F)	to	40°C (104°F)

Charge Retention (shelf life) at 20°C(68°F)

1 month	98%
3 month	94%
6 month	85%

Case Material

ABS UL94 HB
Option: Flammability resistance of (UL94 V-0)

Terminal

F8



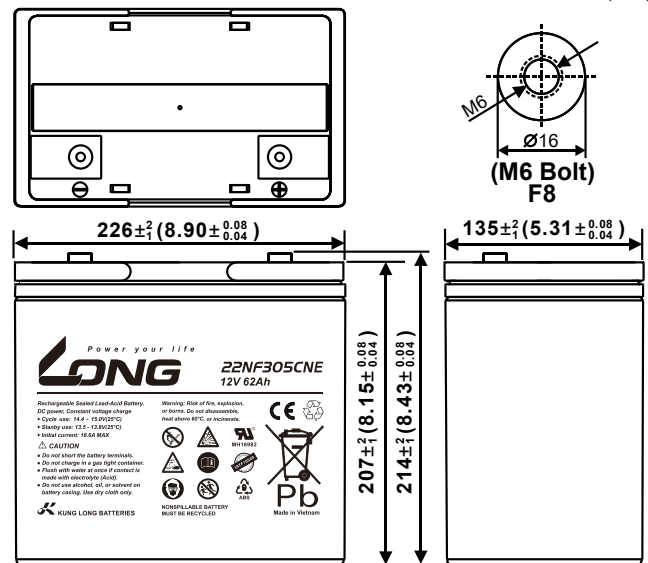
⚡ Dimensions

Length (L)	226± ² _{0.04} (8.90± ^{0.08} _{0.04})
Width (W)	135± ² _{0.04} (5.31± ^{0.08} _{0.04})
Height (H)	207± ² _{0.04} (8.15± ^{0.08} _{0.04})
Overall Height (HT)	214± ² _{0.04} (8.43± ^{0.08} _{0.04})

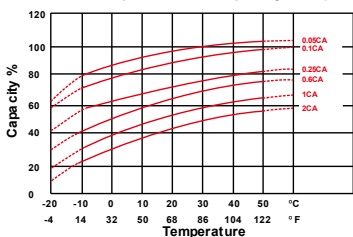
Description of torque value of hardware for the terminals:

Recommended torque value	M6: 7 N-m (71 kgf-cm)
Maximum allowable torque value	M6: 10N-m (102kgf-cm)

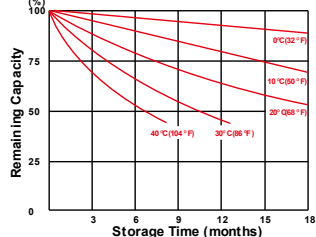
mm(inch)



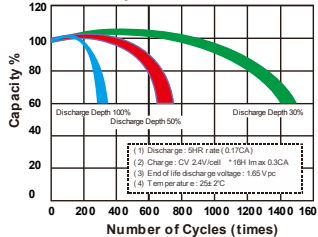
Effect of Temperature on Capacity 25C(77°F)



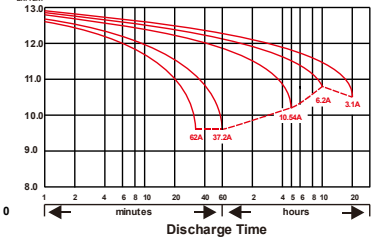
Capacity Retention Characteristic



Cycle Service Life



Discharge Time VS. Discharge Current (25°C)



230924-1C