

### ⚡ Specifications

#### Nominal Voltage(V)

12V

#### Nominal Capacity

10 hour rate	(10A to 10.80V)	100Ah
8 hour rate	(11.8A to 10.80V)	94.4Ah
5 hour rate	(17A to 10.80V)	85Ah
1 hour rate	(55A to 10.80V)	55Ah
1 C	(100A to 9.60V)	53.33Ah

#### Weight

Approx. 31.3kg(68.9Lbs.)

#### Internal Resistance (at 1KHz)

Approx. 4 mΩ

#### Maximum Discharge Current for

5 seconds: 1200A

#### Charging Methods at 25°C(77°F)

Cycle use:	
Charging Voltage	13.8 to 14.4V
Coefficient -5.0mV/°C/cell	
Maximum Charging Current :	30A
Standby use:	
Float Charging Voltage	13.5 to 13.8V
Coefficient -3.0mV/°C/cell	

#### Operating Temperature Range

Charge	-15°C(5°F)	to	40°C(104°F)
Discharge	-15°C(5°F)	to	50°C(122°F)
Storage	-15°C(5°F)	to	40°C(104°F)

#### Charge Retention (shelf life) at 20°C(68°F)

1 month	98%
3 month	94%
6 month	85%

#### Case Material

ABS UL94 HB  
Option: Flammability resistance of (UL94 V-0)

#### Design Life

EUROBAT(20°C) : >12 YEARS VERY LONG LIFE

#### Terminal

F18



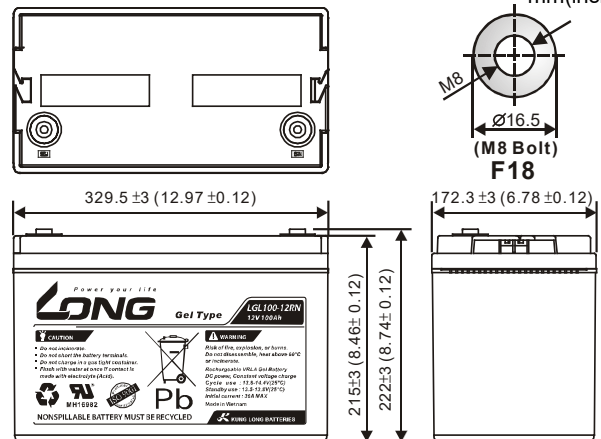
### ⚡ Dimensions

Length (L)	329.5±3 (12.97±0.12)
Width (W)	172.3±3 (6.78±0.12)
Height (H)	215±3 (8.46±0.12)
Overall Height (HT)	222±3 (8.74±0.12)

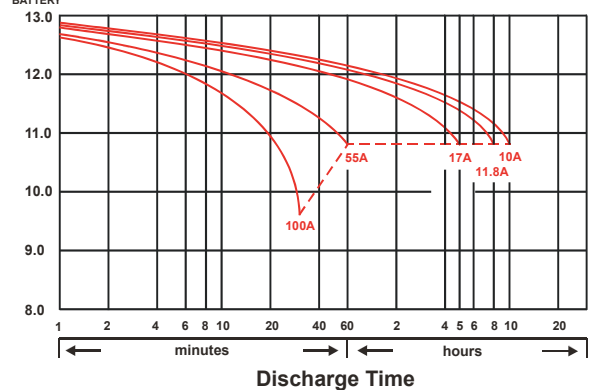
#### Description of torque value of hardware for the terminals:

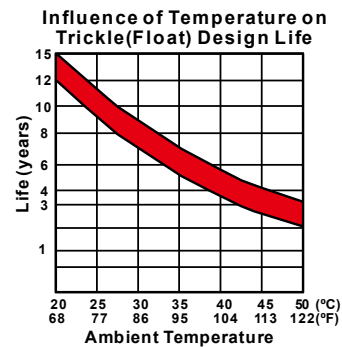
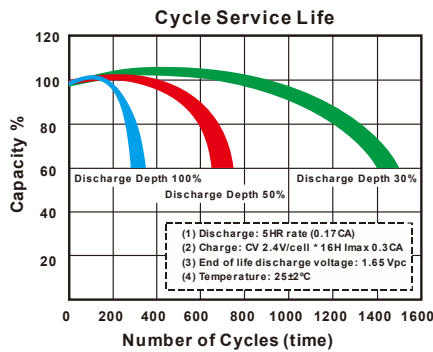
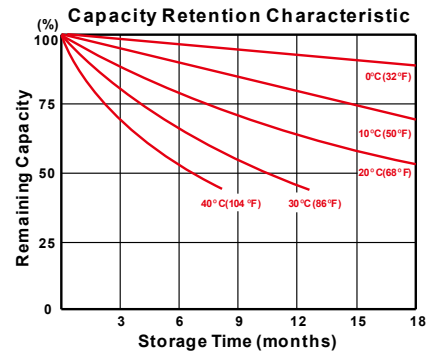
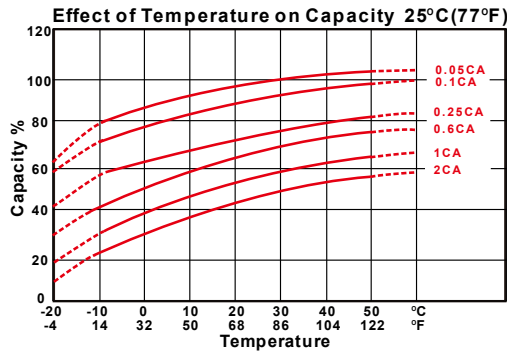
Recommended torque value	M8:12 N-m (122kgf-cm)
Maximum allowable torque value	M8:20 N-m (204kgf-cm)

mm(inch)



#### (v) FOR 12V BATTERY Discharge Time VS. Discharge Current (25°C)





### - PERFORMANCE DATA

#### Discharge Rates in Watts to Various End Voltages at 25°C (77°F)

End Voltage		1.85V	1.80V	1.75V	1.70V	1.65V	1.60V
10	min	342	370	397	414	433	465
15	min	285	315	345	358	373	383
20	min	250	272	299	303	319	333
30	min	207	222	230	234	235	238
60	min	123	132	140	141	143	145
180	min	49.9	53.2	55.2	55.6	56.7	58.2
300	min	33.4	35.5	37.3	37.7	38.0	38.3
600	min	18.8	19.2	19.3	19.7	20.0	20.2
1200	min	9.75	9.9	10.1	10.4	10.5	10.6

#### - Discharge Rates in Amperes to Various End Voltages at 25°C (77°F)

End Voltage		1.85V	1.80V	1.75V	1.70V	1.65V	1.60V
10	min	176	199	221	238	249	263
15	min	151	168	182	194	202	212
20	min	133	146	161	165	174	184
30	min	107	114	120	121	122	123
60	min	59.1	64.3	68.0	70.4	71.6	73.5
180	min	27.3	28.1	28.6	29.5	29.7	30.1
300	min	16.9	18.1	18.5	18.7	19.1	19.2
600	min	9.40	10.2	10.3	10.4	10.5	10.6
1200	min	5.05	5.16	5.22	5.43	5.49	5.54

All data on the spec. sheet is an average value:

The tolerance range : X<6min(+15%~-15%), 6min ≤ X<10min(+12%~-12%), 10min ≤ X < 60min(+8%~-8%), X ≥ 60min(+5%~-5%)

200125-1E