

Specifications

Nominal Voltage(V)

12V

Nominal Power

15 mins rate: 350W/cell to 1.67V/cell

Nominal Capacity

20 hour rate	(5A	to	10.50V)	100Ah
10 hour rate	(10A	to	10.50V)	100Ah
8 hour rate	(9.9A	to	10.50V)	79.2Ah
5 hour rate	(15.3A	to	10.20V)	76.5Ah

Weight

Approx. 27.8kg(61.2Lbs.)

Internal Resistance (at 1KHz)

Approx. 5.5 mΩ

Maximum Discharge Current for

5 seconds: 1080A

Charging Methods at 25°C(77°F)

Maximum Charging Current :	30A
Boost Charging Voltage	14.1 to 14.4V
Boost Charge Time	8-9Hr
Float Charging Voltage	13.38 to 13.65V
Coefficient	-3.0mV/°C/cell

Operating Temperature Range

Charge	-15°C(5°F)	to	40°C(104°F)
Discharge	-15°C(5°F)	to	50°C(122°F)
Storage	-15°C(5°F)	to	40°C(104°F)

Charge Retention (shelf life) at 20°C(68°F)

1 month	98%
3 month	96%
6 month	94%

Case Material

ABS UL94 HB

Option: Flammability resistance of (UL94 V-0)



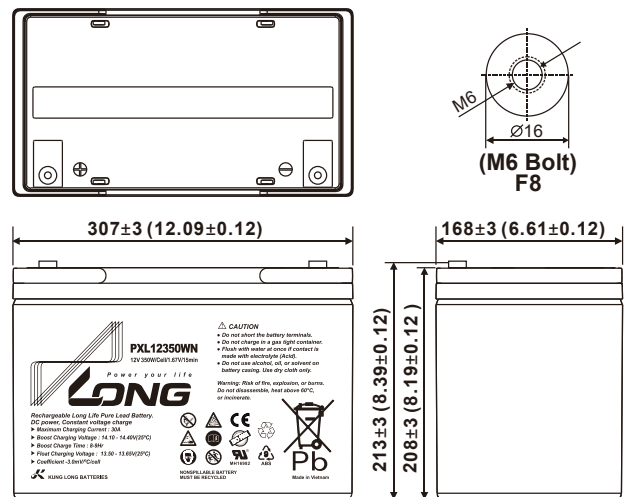
Dimensions

Length (L) 307±3 (12.09±0.12)

Width (W) 168±3 (6.61±0.12)

Height (H) 208±3 (8.19±0.12)

Overall Height (HT) 213±3 (8.39±0.12)



Terminal

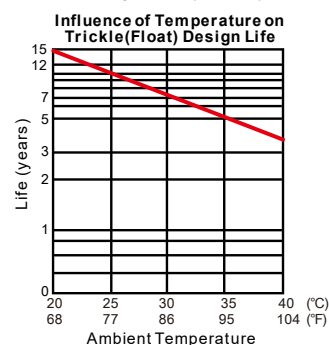
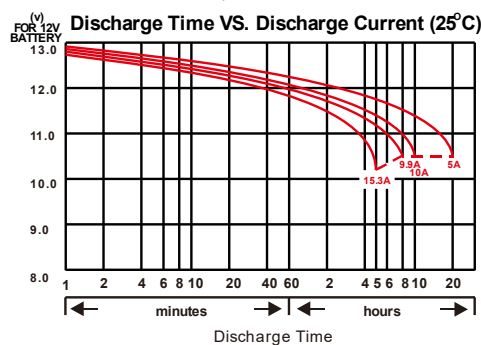
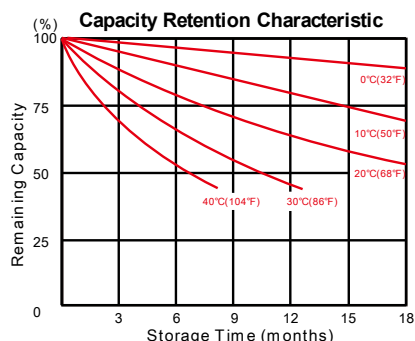
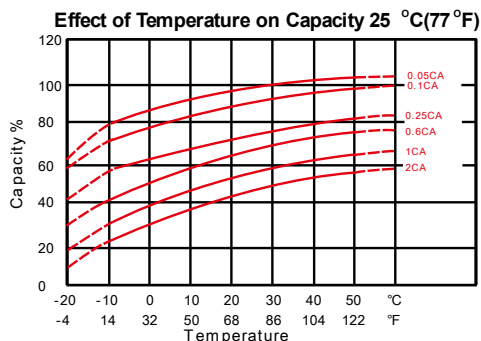
F8

Recommended torque value M6: 7 N-m (71 kgf-cm)

Maximum allowable torque value M6: 10N-m (102 kgf-cm)

Design Life

15 years



PERFORMANCE DATA

Discharge Rates in Watts to Various End Voltages at 25°C(77°F)

End Voltage		1.85V	1.80V	1.75V	1.70V	1.67V	1.65V	1.60V
Time								
5	min	396	451	503	528	547	566	580
10	min	340	365	385	410	430	434	437
15	min	282	295	320	342	350	358	362
30	min	185	190	195	202	212	226	236
60	min	105	107	109	110	112	113	115
120	min	66.5	68.8	69.4	70.4	71.4	72.0	73.1
180	min	49.0	49.5	50.0	50.6	51.1	51.6	52.0
240	min	37.8	39.4	41.0	42.6	43.6	44.4	45.0
300	min	34.5	34.9	35.2	35.6	36.3	36.7	37.0
480	min	22.9	23.1	23.2	23.4	23.6	23.7	23.9
600	min	18.7	18.8	18.9	19.0	19.2	19.3	19.4
1200	min	9.50	9.90	10.1	10.3	10.4	10.5	10.6

Discharge Rates in Amperes to Various End Voltages at 25°C(77°F)

End Voltage		1.85V	1.80V	1.75V	1.70V	1.67V	1.65V	1.60V
Time								
5	min	220	250	271	301	330	356	376
10	min	174	199	220	240	259	265	270
15	min	150	165	175	188	200	203	205
30	min	97.0	100	102	105	107	109	110
60	min	52.8	60.0	60.4	60.8	61.3	61.7	62.0
120	min	33.2	33.6	34.0	34.4	34.7	35.0	35.2
180	min	26.0	26.6	27.1	27.8	28.4	29.0	29.5
240	min	19.0	20.5	21.3	21.4	21.4	21.5	21.5
300	min	15.6	16.5	17.1	17.2	17.4	17.5	17.6
480	min	10.7	11.2	11.6	11.7	11.8	11.8	11.9
600	min	8.80	9.00	10.0	10.0	10.1	10.1	10.1
1200	min	4.93	4.96	5.00	5.05	5.10	5.14	5.20

All data on the spec. sheet is an average value:

The tolerance range : $X < 6\text{min}$ (+15%~-15%), $6\text{min} \leq X < 10\text{min}$ (+12%~-12%), $10\text{min} \leq X < 60\text{min}$ (+8%~-8%), $X \geq 60\text{min}$ (+5%~-5%)

220125-1A