

⚡ Specifications

Nominal Voltage (V)

12V

Nominal Capacity

20 hour rate	(2.5A to 10.50V)	50Ah
10 hour rate	(4.75A to 10.50V)	47.5Ah
5 hour rate	(8.5A to 10.20V)	42.5Ah
1C	(50A to 9.60V)	31.67Ah
3C	(150A to 9.60V)	20Ah

Weight

Approx. 15.0kg(33.0Lbs.)

Internal Resistance (at 1KHz)

Approx. 5 mΩ

Maximum Discharge Current for

5 seconds: 300A

Charging Methods at 25°C (77°F)

Maximum Charging Current :	15A
Boost Charging Voltage	14.4 to 15.0V
Boost Charge Time	8-9Hr
Float Charging Voltage	13.5 to 13.8V
Coefficient	-3.0mV/°C/cell

Operating Temperature Range

Charge	-15°C(5°F)	to	40°C(104°F)
Discharge	-15°C(5°F)	to	50°C(122°F)
Storage	-15°C(5°F)	to	40°C(104°F)

Charge Retention (shelf life) at 20°C (68°F)

1 month	98%
3 month	94%
6 month	85%

Case Material

ABS UL94 V-0
Option: Flammability resistance of (UL94 V-0)

Design Life & Standard

EUROBAT(20°C) : >12 YEARS VERY LONG LIFE

Terminal

F8



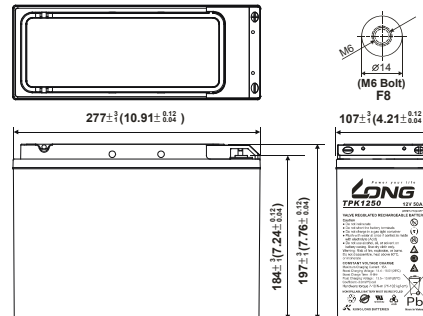
⚡ Dimensions

Length (L)	277± ³ ₁ (10.91± ^{0.12} _{0.04})
Width (W)	107± ³ ₁ (4.21± ^{0.12} _{0.04})
Height (H)	197± ³ ₁ (7.76± ^{0.12} _{0.04})
Overall Height (HT)	197± ³ ₁ (7.76± ^{0.12} _{0.04})

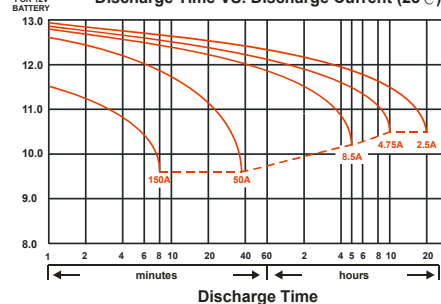
Description of torque value of hardware for the terminals:

Recommended torque value	M6: 7 N-m (71 kgf-cm)
Maximum allowable torque value	M6: 10 N-m (102 kgf-cm)

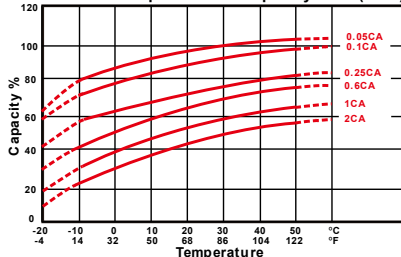
mm(inch)



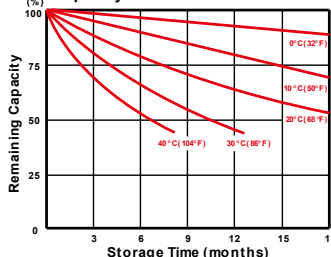
(V) Discharge Time VS. Discharge Current (25°C)



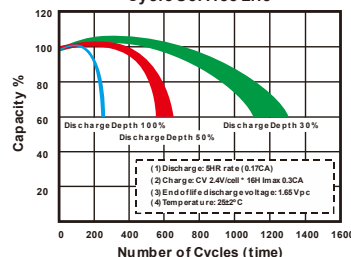
Effect of Temperature on Capacity 25°C(77°F)



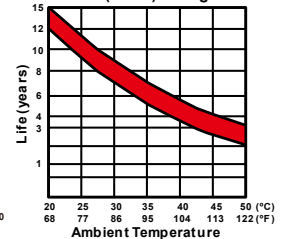
Capacity Retention Characteristic



Cycle Service Life



Influence of Temperature on Trickle(Float) Design Life



080125-1D